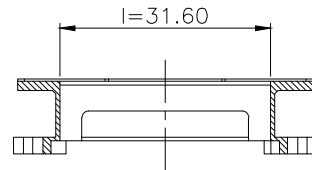
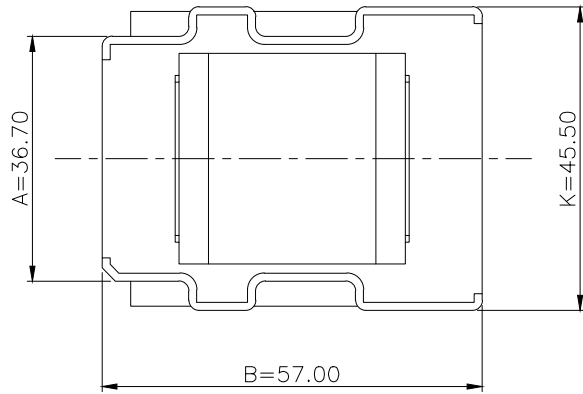


SECTION A-A



SECTION B-B

△									
△									
△									
△									
MARK	REVISION NOTE				DATE	DRAWN	CHECKED	APPROVED	
	DRAWN	CHECKED	APPROVED	MATERIAL : P.E.T	UL REC. : UL94V-0	THIRD ANGLE PROJ.	SCALE : 1/1		
	Dae Soo, Kim	Hyung Seok, Lee	Chul, Park		DATE : 2010.02.18	TOLERANCE : ±0.2 (unless otherwise specified)	UNT : m/m		
	주식회사 대흥보빈 DAE HEUNG BOBBIN CO., LTD				TITLE EFD 45*49 CAP (A)		DWG NO DH-100503-8604-01		